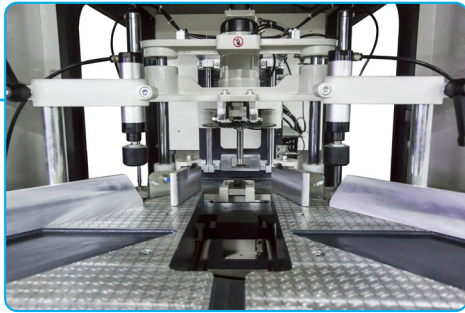
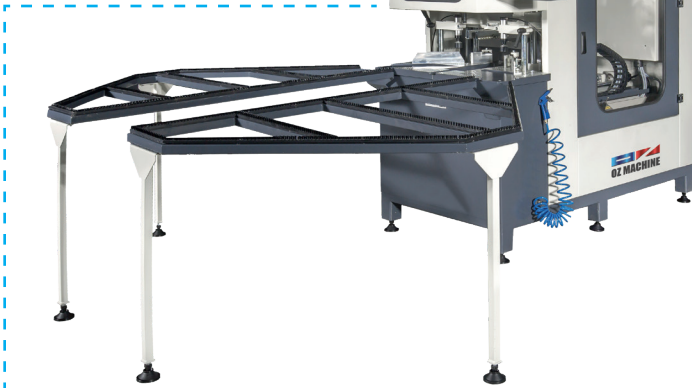


# ORBIT - IV SA

Semi-Automatic PVC Corner and Surface Cleaning Machine



## Features

Used for cleaning the burrs created by welding of PVC window rails, doors, frames and etc. welded at an angle of 90°

- Cleaning of bottom, top and external surfaces of the profile by two independent cleaning units
- Memory capacity for 250 profiles
- Touchscreen control panel
- Easy and quick entering of the program for the profile to be cleaned with the proprietary software of Özçelik Makina
- Operator adjusted cutting speed and axial speeds

## Standard Equipments

- Surface cleaning blade
- Profile external cleaning saw blade

## Optional Equipments

- Conveyor

z				y								a			b			D			x		y		Air Pressure		Air Consumption		l x w x h (mm)	
HP	n	3~ Hz	I (400 V)	HP	n	3~ Hz	I (400 V)	HP	n	3~ Hz	I (400 V)	a	min	max	ø D	ø d	s	n	x min	y min	Pressure	Consumption	l	w	x	h				
0,8	3000	50	3,6	1,1	3000	50	4,8	0,75	3000	50	2	150	30	100	230	32	3,2	3000	350	350	6 - 8 bar	95 L / min	2540	3360	1555	400				
0,6	r.p.m	60	A	0,8	r.p.m	60	A	0,55	r.p.m	60	A	mm	mm	mm	mm	mm	mm	r.p.m	mm	mm	bar	L / min	mm	mm	mm	mm	kg			