

# COMET DD

Digital Conveyor with Profile Gauge



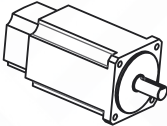
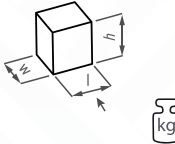
## FEATURES

Used for conveying of aluminum, plastic and metal profiles.

- Measuring capacity up to 3 m
- Easy installation on machines
- Touchscreen
- Automatic positioning

## OPTIONAL EQUIPMENT

- Bluetooth caliper gauge

					
HP	n	1 ~	I	l x w x h (mm)	
kw	r.p.m	Hz	A	3406 x 600 x 1435	
1,1	3000	50	4,8	93 kg	
0,8		60			