

COMET GM

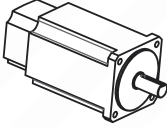
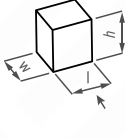
Conveyor with Profile Gauge (Servo Controlled)



FEATURES

With GARNET Mini, aluminum and PVC profiles can be used as a drive unit thanks to the servo-moving support system via the touch panel.

- Measurement capacity up to 3 m
- Strong and easy-to-move pulley system
- Adjustable distance pulley system

				
HP	n	1 ~	I	l x w x h
kw	r.p.m	Hz	A	(mm)
1,1	3000	50	4,8	3406 x 600 x 992
0,8		60		93 kg