

# SPICA F

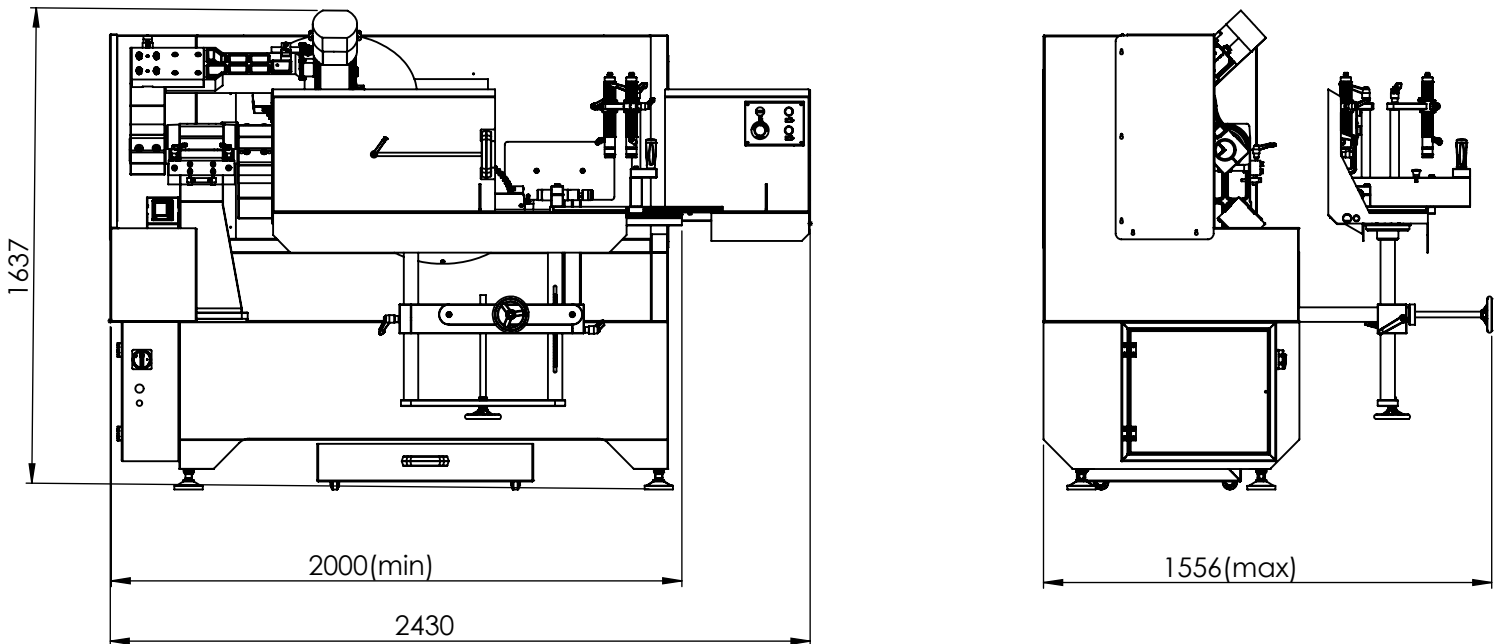
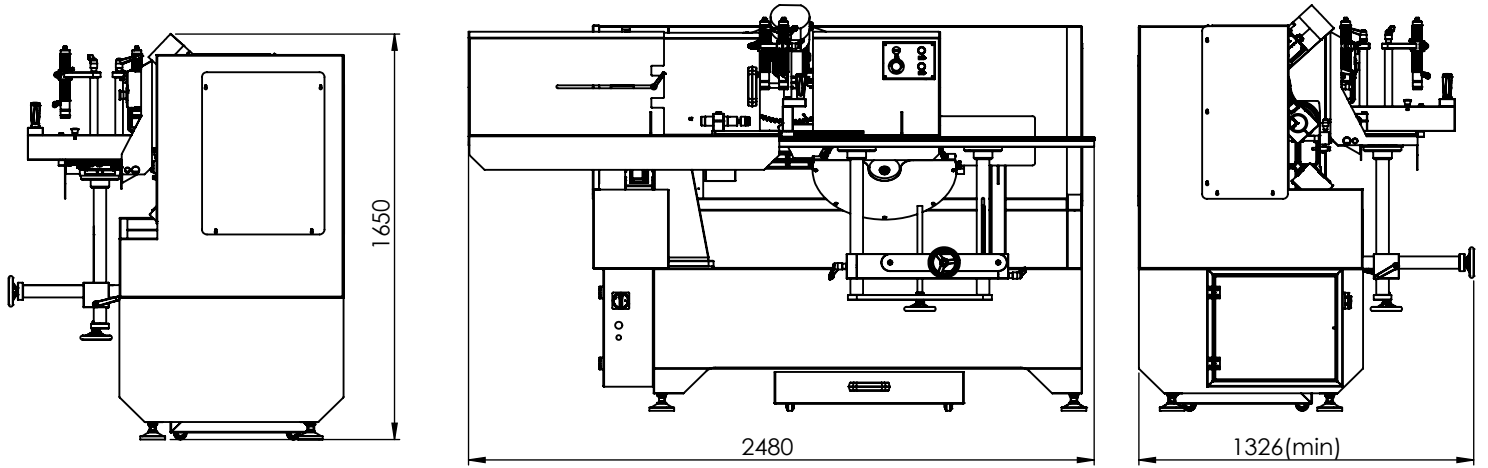
Aluminum Facade Notching Machine Manual



SPICA F saw Notching Machine is designed and constructed for variable notching possibilities on the sash, frame, mullion and transom profile combinations for curtainwalls, winter gardens, skylights and special design processing with the special angles at the profile and surface. A work unit that moves on a profile fixed with automatic horizontal and vertical clamps, which is controlled manually via a linear guide slide, performs cutting operations using two fixed saws.

# SPICA F

## Aluminum Facade Notching Machine Manual



# SPICA F

## Aluminum Facade Notching Machine Manual

### AIR - ELECTRIC

Pressure	6-8 Bar
Voltage	380 V
Frequency	50 Hz
Consumption	15 L/min

### CUTTING VERTICAL UNIT

Saw blade diameter	500 mm
Maximum profile cutting dimensions (width / height)	150/250
Saw blade motor power	2,2 kW
Maximum speed	3000 rpm
Maximum cutting depth	200 mm
Saw tilt angel range	±45°

### CUTTING HORIZONTAL UNIT

Saw blade diameter	500 mm
Saw blade motor power	2,2 kW
Maximum speed	3000 rpm
Maximum cutting depth	175 mm
Saw tilt angel range	±60°

### PROFILE CONNECTION CAPACITY

Profile Height	250 mm
Profile Width	150 mm
Movable Miter Angle	0° /45°